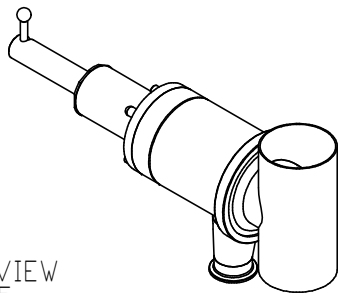
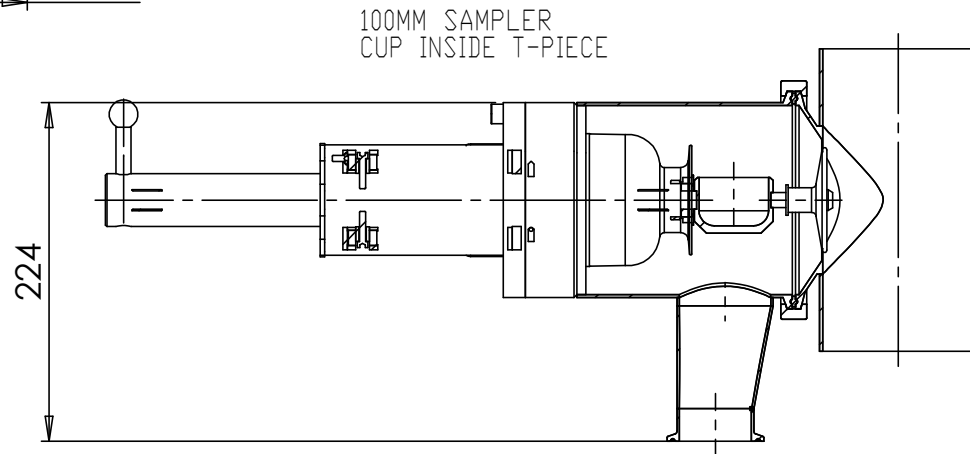


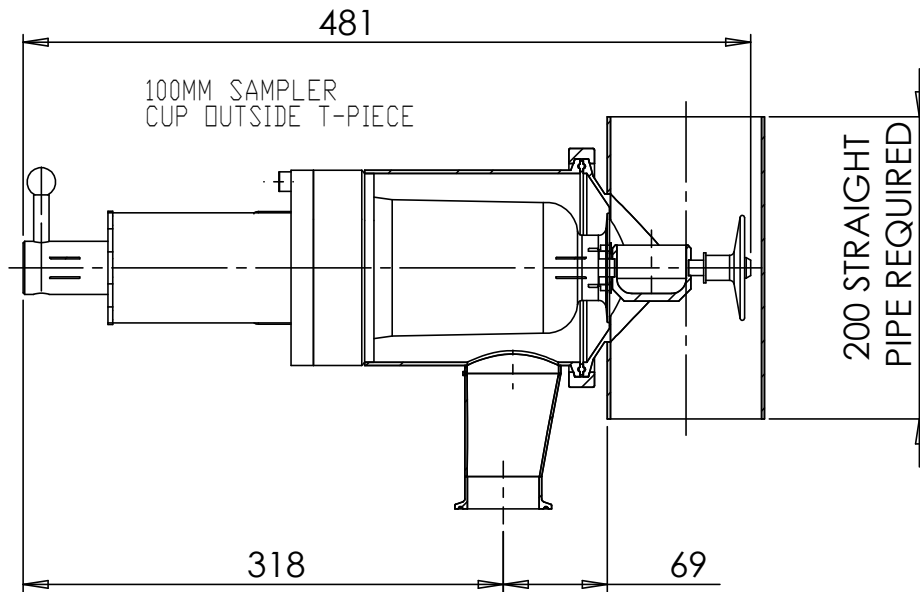
NOTE:

100MM SAMPLER SHOWS 86MM STROKE



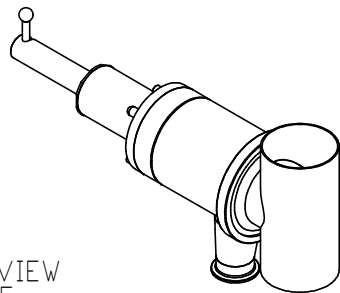
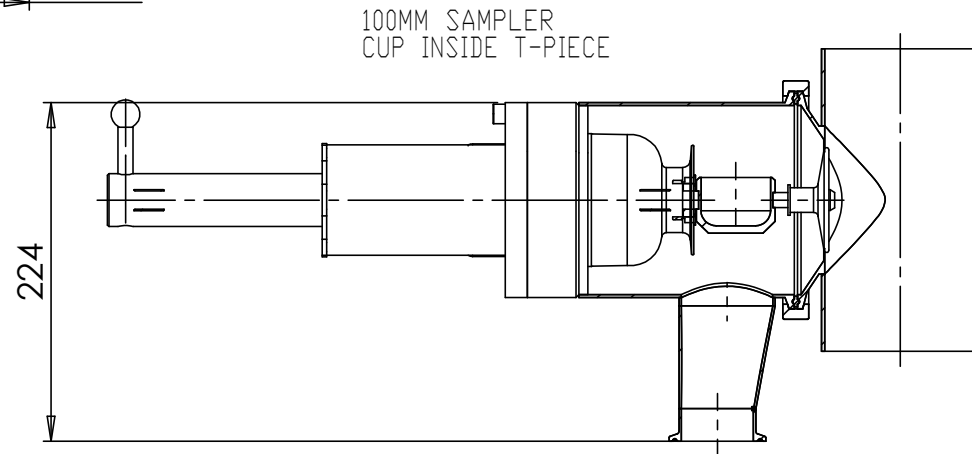
ISOMETRIC VIEW
SCALE 1:5

PROPRIETARY AND CONFIDENTIAL THE INFORMATION CONTAINED IN THIS DRAWING IS THE SOLE PROPERTY OF SAMPLING SYSTEMS LTD. ANY REPRODUCTION IN PART OR AS A WHOLE WITHOUT THE WRITTEN PERMISSION OF SAMPLING SYSTEMS LTD IS PROHIBITED.			DIMENSIONS ARE IN MM. TOLERANCES: M/C PARTS +/- 0.2 FABRICATED PARTS: 0-300 TOL +/- 1.0 301-1000 TOL +/- 2.0 1001+ TOL +/- 3.0			NAME DATE		SAMPLING SYSTEMS LTD
B DIMS ALTERED 03/11/10 A FIRST ISSUE 23/01/08			MATERIAL N/A FINISH N/A		DRAWN SCH 23/01/08 CHECKED		TITLE: FREEGLIDE FG-1000	
REV DESCRIPTION DATE			DD NOT SCALE DRAWING		SAMPLING SYSTEMS LIMITED 2 FORGE MILLS PARK STATION ROAD COLESHILL WARWICKSHIRE B46 1HT TEL +44 (0)1675 466992 FAX +44 (0) 1675 466994 www.sampling-systems.co.uk info@sampling.co.uk			CUSTOMER SAMPLING SYSTEMS
					SIZE DWG. NO. A4 SS400176		REV. B	
					SCALE: 1:5 WEIGHT:		SHEET 1 OF 1	



NOTE:

100MM SAMPLER SHOWS 86MM STROKE



ISOMETRIC VIEW
SCALE 1:5

PROPRIETARY AND CONFIDENTIAL THE INFORMATION CONTAINED IN THIS DRAWING IS THE SOLE PROPERTY OF SAMPLING SYSTEMS LTD. ANY REPRODUCTION IN PART OR AS A WHOLE WITHOUT THE WRITTEN PERMISSION OF SAMPLING SYSTEMS LTD IS PROHIBITED.			DIMENSIONS ARE IN MM. TOLERANCES: M/C PARTS +/- 0.2 FABRICATED PARTS: 0-300 TOL +/- 1.0 301-1000 TOL +/- 2.0 1001+ TOL +/- 3.0		NAME DATE	SAMPLING SYSTEMS LTD
			DRAWN SCH	23/01/08	TITLE: FREEGLIDE FG-1000M	
B DIMS ALTERED 03/11/10			MATERIAL N/A		SAMPLING SYSTEMS LIMITED 2 FORGE MILLS PARK STATION ROAD COLESHILL WARWICKSHIRE B46 1HT TEL +44 (0)1675 466992 FAX +44 (0) 1675 466994 www.samplingystems.co.uk info@sampling.co.uk	
A FIRST ISSUE 23/01/08			FINISH N/A			
REV	DESCRIPTION	DATE	DD NOT SCALE DRAWING		SIZE DWG. NO. A4 SS400176	REV. B
			2007 Sampling Systems Limited		SCALE:4:5	WEIGHT:
					SHEET 1 OF 1	