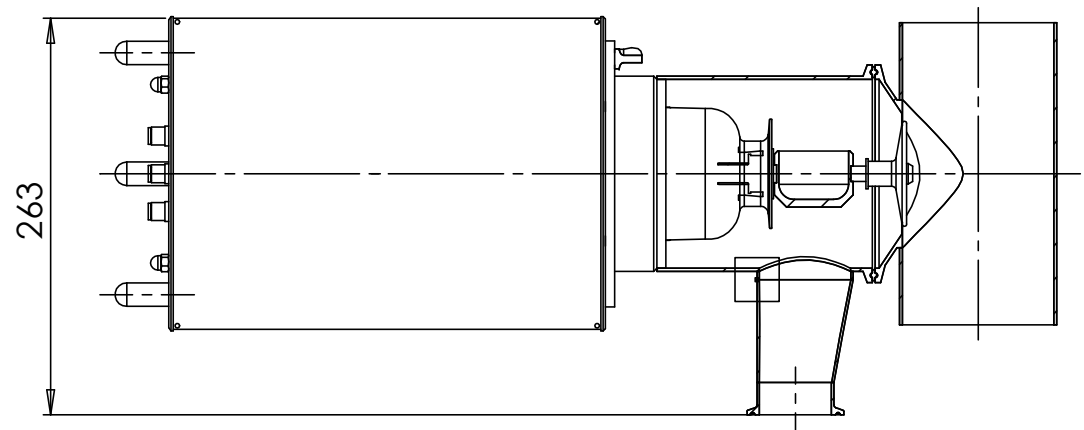


100MM PNEUMATIC SAMPLER
CUP INSIDE T-PIECE



NOTE:

100MM PNEUMATIC SAMPLER SHOWS
86MM STROKE

PROPRIETARY AND CONFIDENTIAL THE INFORMATION CONTAINED IN THIS DRAWING IS THE SOLE PROPERTY OF SAMPLING SYSTEMS LTD. ANY REPRODUCTION IN PART OR AS A WHOLE WITHOUT THE WRITTEN PERMISSION OF SAMPLING SYSTEMS LTD IS PROHIBITED.			DIMENSIONS ARE IN MM. TOLERANCES: M/C PARTS +/- 0.2 FABRICATED PARTS: 0-300 TOL +/- 1.0 301-1000 TOL +/- 2.0 1001+ TOL +/- 3.0		NAME DATE	SAMPLING SYSTEMS LTD	
			DRAWN SCH	CHECKED	23/01/08		TITLE: FREEGLIDE FG-1000A
MATERIAL N/A			SAMPLING SYSTEMS LIMITED 2 FORGE MILLS PARK STATION ROAD COLESHILL WARWICKSHIRE B46 1HT TEL +44 (0)1675 466992 FAX +44 (0) 1675 466994 www.samplingystems.co.uk info@sampling.co.uk		CUSTOMER SAMPLING SYSTEMS		
REV B A	DESCRIPTION DIMS ALTERED FIRST ISSUE	DATE 03/11/10 23/01/08	DD NOT SCALE DRAWING		SIZE DWG. NO. A4 SS400185	REV. B	
			2007 Sampling Systems Limited		SCALE:4:5	WEIGHT:	SHEET 1 OF 1