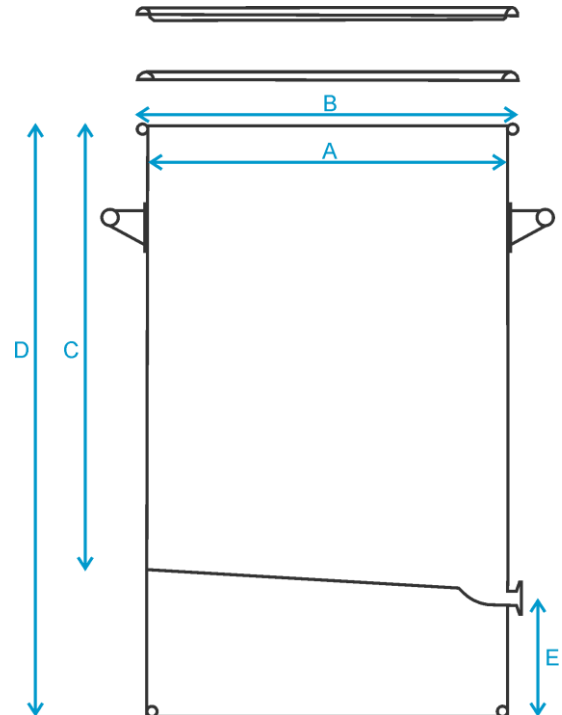


1. Part Number: A616-50

2. Photograph:



3. Product Information:

Description

Stainless Storage Drum 50L with 1.5" Ferrule

Materials of Construction:

- Body: 316L stainless steel
- Ferrule: 316L stainless steel
- Lid: 316L stainless steel
- Clamp: 304 stainless steel
- Handles: 304 stainless steel
- Gasket: Silicone (FDA 177.2600 and USP Class VI compliant)

Nominal Volume:

50 Litres

Method of Construction:

- Welds ground and polished
- Crevice free interior

Surface Finish:

Better than 0.5 microns Ra

Dimensions

A = 394 mm
B = 414 mm
C = 424 mm
D = 591 mm
E = 150 mm

Graduation Marks:

None

Ferrule:

1.5" (to standard BS4825-3)

Handles:

2 side handles welded onto patch plates



Certificate No.145512021

Sampling Systems Ltd.

2 Trillennium Point, Gorsey Lane, Coleshill. B46 1JU. UK.

Tel: +44(0)1675 466992 Email: info@sampling.com Web: www.sampling.com

Weight: 12.2 kg (body + gasket + lid + clamp)

BSE/TSE statement: All polishing compounds used in the manufacture of this product are of vegetable origin

Recommended Storage Conditions: Dry and ambient temperature

Notes:

- This product should be thoroughly cleaned before it is used for the first time
- Discharge valve is not included

4. Approval:

Signed:



Name: Kuldeep Flora

Position: Quality Manager

Date: 7-Jan-25