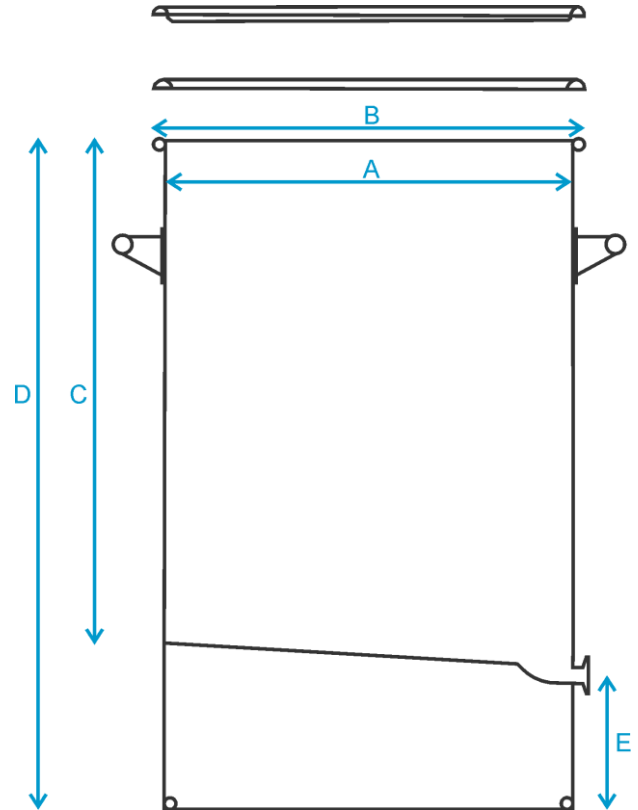


1. Part Number: A616-200

2. Photograph:



3. Product Information:

Description

Stainless Storage Drum 200L with 1.5" Ferrule

Materials of Construction:

- Body: 316L stainless steel
- Ferrule: 316L stainless steel
- Lid: 316L stainless steel
- Clamp: 304 stainless steel
- Handles: 304 stainless steel
- Gasket: Silicone (FDA 177.2600 and USP Class VI compliant)

Nominal Volume:

200 Litres

Method of Construction:

- Welds ground and polished
- Crevice free interior

Surface Finish:

Better than 0.5 microns Ra

Nominal Dimensions

A = 570 mm
B = 596 mm
C = 802 mm
D = 995 mm
E = 170 mm

Graduation Marks:

None

Ferrule:

1.5" (to standard BS4825-3)

Handles:	2 side handles welded onto patch plates
Weight:	26.0 Kg (body + gasket + lid + clamp)
BSE/TSE statement:	All polishing compounds used in the manufacture of this product are of vegetable origin
Recommended Storage Conditions:	Dry and ambient temperature

Notes:

- This product should be thoroughly cleaned before it is used for the first time
- Discharge valve is not included

4. Approval:

Signed:



Name: Kuldeep Flora

Position: Quality Manager

Date: 7-Jan-25