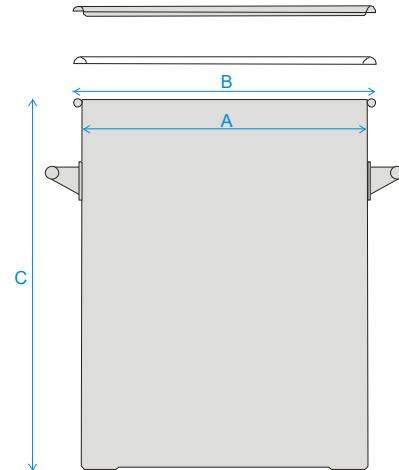


1. Part Number: A126-75

2. Photograph:

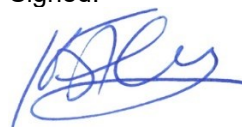


3. Product Information:

| | |
|---------------------------------|---|
| Description | Stainless Storage Drum 75L |
| Materials of Construction: | <ul style="list-style-type: none"> - Body: 316L stainless steel - Lid: 316L stainless steel - Clamp: 304 stainless steel - Handles: 304 stainless steel - Gasket: Silicone (FDA 177.2600 compliant & BSE/TSE free) |
| Nominal Volume: | 75 Litres |
| Method of Construction: | Welds ground and polished |
| Surface Finish: | Better than 0.5 microns Ra |
| Dimensions | A = 394 mm B = 414 mm C = 630 mm |
| Drum Wall Thickness: | 1.2mm |
| Graduation Marks: | None |
| Handles: | 2 side handles welded onto patch plates |
| Weight: | 11.1 Kg (body + gasket + lid + clamp) |
| BSE/TSE statement: | All polishing compounds used in the manufacture of this product are of vegetable origin. |
| Recommended Storage Conditions: | Dry and ambient temperature |

4. Approval:

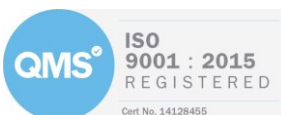
Signed:



Name: Kuldeep Flora

Position: Quality Manager

Date: 14-Aug-20



Sampling Systems Ltd.

4-5 Forge Mills Park, Coleshill, Warwickshire, B46 1JH, UK.
Tel: +44(0)1675 466992 Email: info@sampling.com Web: www.sampling.com