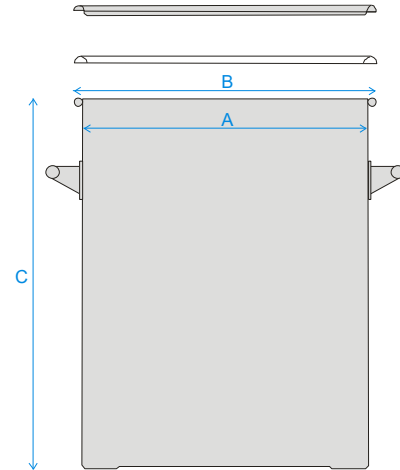


**1. Part Number:** A126-25

**2. Photograph:**



**3. Product Information:**

Description	Stainless Storage Drum 25L
Materials of Construction:	- Body: 316L stainless steel - Lid: 316L stainless steel - Clamp: 304 stainless steel - Handles: 304 stainless steel - Gasket: Silicone (FDA 177.2600 compliant & BSE/TSE free)
Nominal Volume:	25 Litres
Brimful Volume:	26 Litres
Method of Construction:	Welds ground and polished
Surface Finish:	Better than 0.5 microns Ra
Dimensions	A = 300 mm B = 320 mm C = 380 mm
Drum Wall Thickness:	1.2mm
Graduation Marks:	None
Handles:	2 side handles welded onto patch plates
Weight:	6.0 Kg (body + gasket + lid + clamp)
BSE/TSE statement:	All polishing compounds used in the manufacture of this product are of vegetable origin.
Recommended Storage Conditions:	Dry and ambient temperature

**4. Approval:**

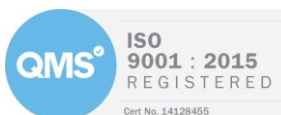
Signed:



Name: Kuldeep Flora

Position: Quality Manager

Date: 14-Aug-20



**Sampling Systems Ltd.**

4-5 Forge Mills Park, Coleshill, Warwickshire, B46 1JH, UK.  
Tel: +44(0)1675 466992 Email: info@sampling.com Web: www.sampling.com